

# K-7 Space Station

MINIATURE U.S.S. ENTERPRISE™ SPACE SHIP INCLUDED

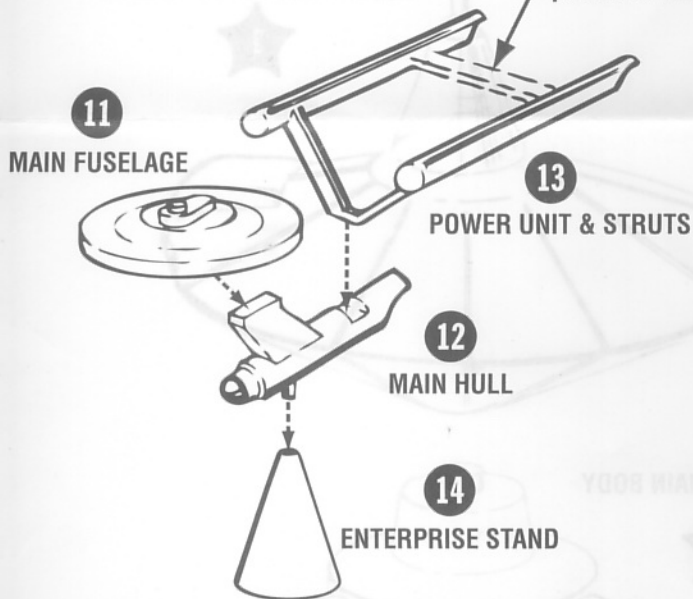
## IMPORTANT!

### READ THESE POINTS BEFORE YOU BEGIN

- 1 ▶ **TEST FIT** all parts before cementing. Trim excess plastic from parts before joining.
- 2 ▶ Cement all parts unless otherwise indicated by the instructions.
- 3 ▶ Use paint and cement made for styrene plastic only.
- 4 ▶ It is recommended to paint sub-assemblies before final assembly.
- 5 ▶ Scrape paint away from surfaces to be cemented together.
- 6 ▶ Assemble parts in the order shown, starting with assembly 1.

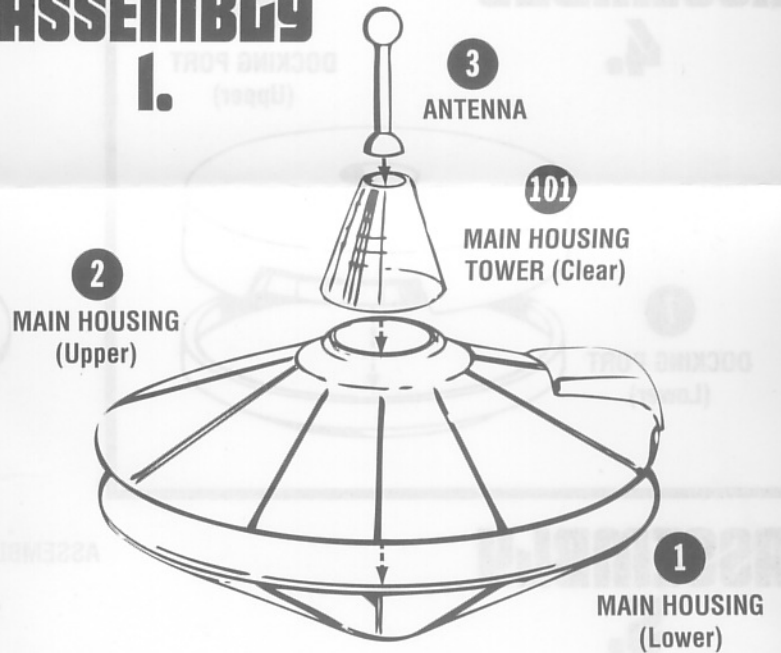
## ENTERPRISE™

NOTE: Remove plastic bar between power units



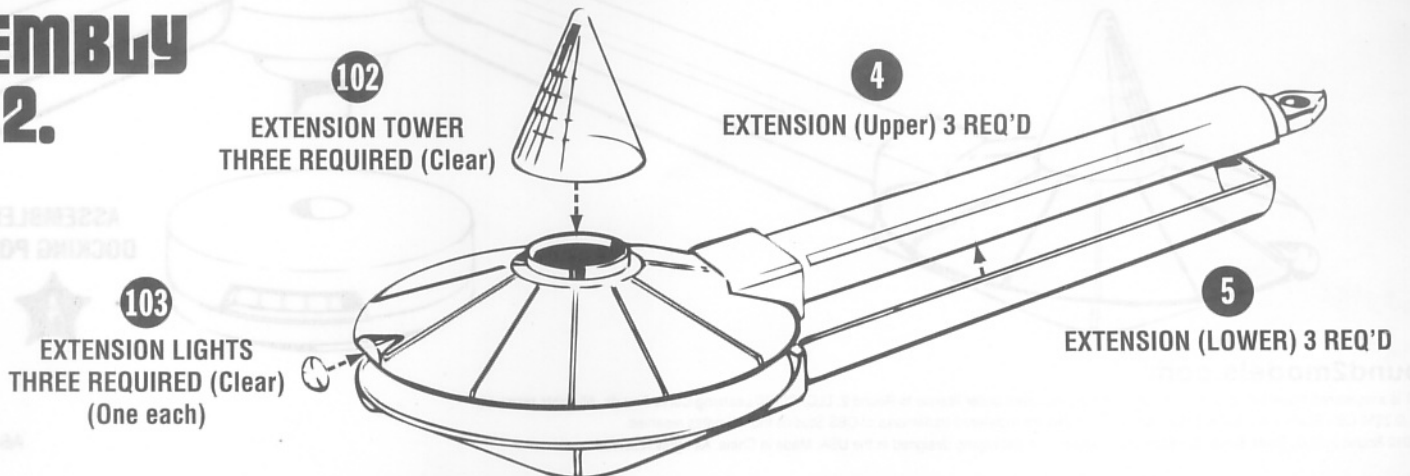
## ASSEMBLY

1.



## ASSEMBLY

2.



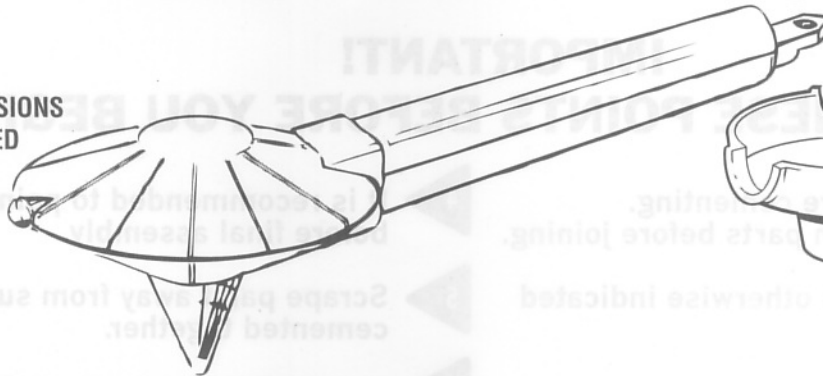
# ASSEMBLY

## 3.

**NOTE: THIS STEP IS BEST ACCOMPLISHED BY HANDLING THE ASSEMBLY UPSIDE DOWN**

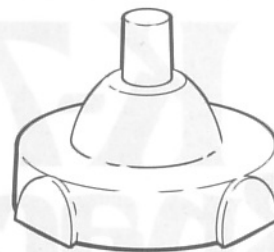
ASSEMBLED EXTENSIONS  
THREE REQUIRED

2



10

EXTENSION LOCATING RING



9

MAIN BODY (Lower)

8

MAIN BODY (Upper)

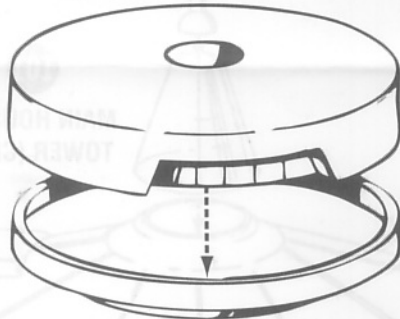


# ASSEMBLY

## 4.

6

DOCKING PORT  
(Upper)



7

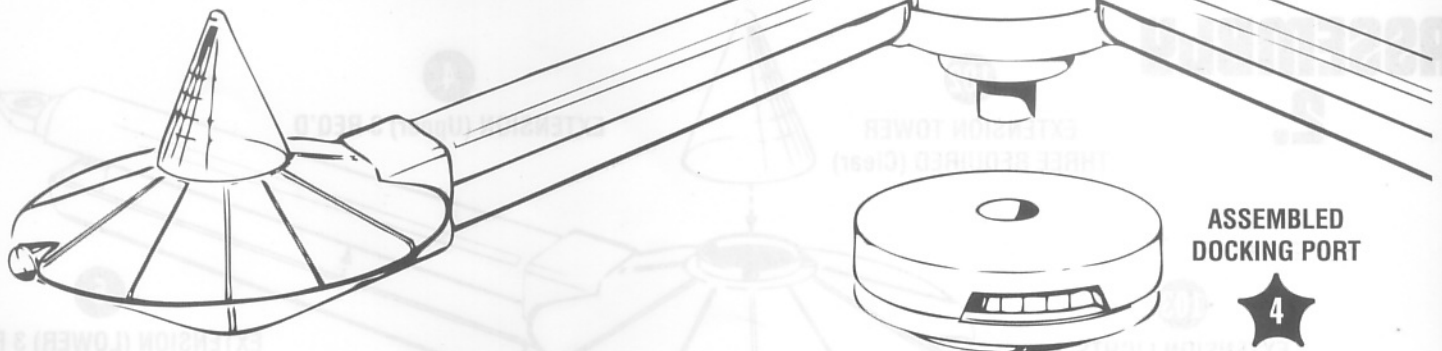
DOCKING PORT  
(Lower)

# ASSEMBLY

## 5.

ASSEMBLED MAIN BODY

3



ASSEMBLED DOCKING PORT

4

round2models.com

AMT is a registered trademark of Learning Curve Brands, Inc. used under license to Round 2, LLC. ©2010 Learning Curve Brands. All rights reserved.  
© & © 2010 CBS Studios Inc. STAR TREK and related marks are registered trademarks of CBS Studios Inc. All rights reserved.  
© 2010 Round 2, LLC. South Bend, IN 46628 USA. Product and packaging designed in the USA. Made in China. All rights reserved.

A644/645-200